



Installation Instructions

Page 1 of 12

October 15, 2002

Group Description

Bulletin Number

Product

Development

SUBJECT

CD Changer Installation Kit (RH Dashboard Location)

MODEL

7 Series (E65/66/67)

These instructions were developed especially for BMW vehicles and are not to be compared to any existing instructions for vehicles other than BMW. No methods other than those specified in this document are to be used to install Alpine CD Changer in 7 Series vehicles.

PARTS INFORMATION

Reference Number	Description	Qty	BMW Part Number
1	E65 CD Changer	1	65 12 6 926 933
2	E65 CDC Installation Kit	1	65 12 0 154 568

Installation Kit Contents:

Part Description	Qty	Part Number
Installation Instructions	1	01 29 0 154 442
CDC MOST/Power Wiring Harness	1	61 12 0 142 348
Fuse, 5A	1	61 13 1 386 626
Support	1	65 12 8 370 535
CDC Trim Screw	4	65 12 6 919 475
Right Dash Panel with CDC (Dark Silver)	1	51 45 7 018 959
Wire Ties	10	61 13 1 367 599
EBA CD-ROM	1	01 29 0 017 969

Average Installation Time: 2.5 hours (Requires use of CIP via DISPlus or MoDiC III)

Important Information: Check the status of the control units using the CIP program (Coding, Individualization, Programming) before you install the CD Changer. If the test detects incorrect status in one or more control units, these must be updated first using the update function.

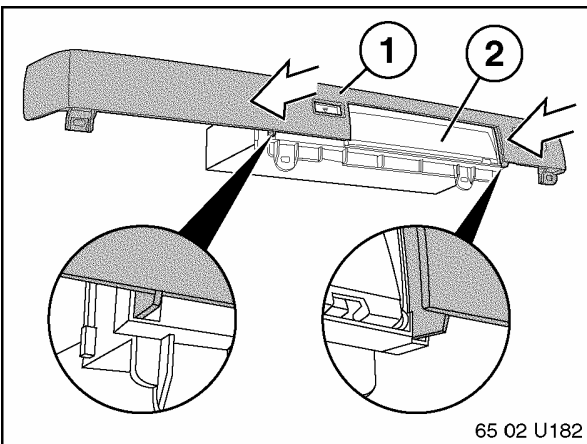
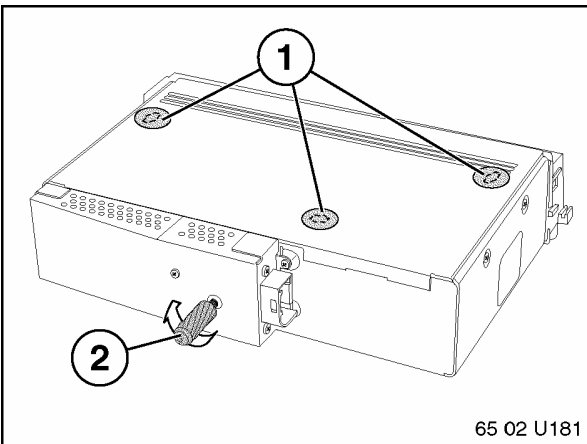
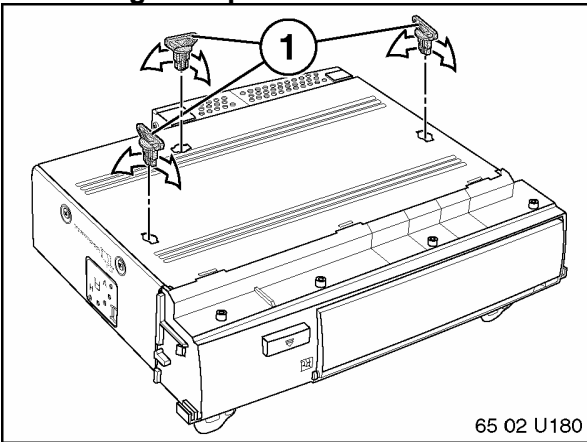
Required Tools

- Disassembly Aid (6 009 340)
- Vent Hook (6 641 030)
- Pin Removal Tool (6 611132)

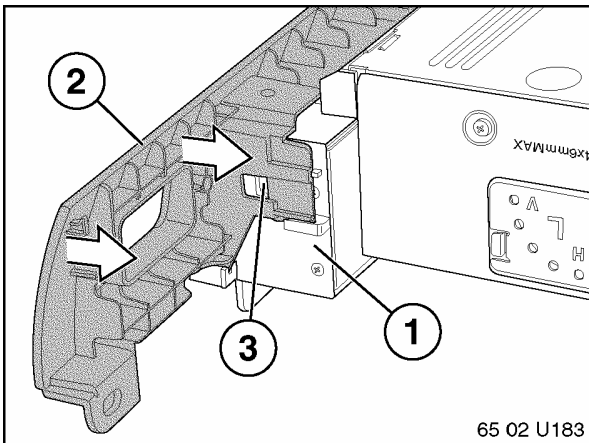
Please initial and route to the following for information before filing										
X	Service Manager		X	Warranty		X	Service Technicians - Initial Below			
X	Service Advisor			Parts Mgr.						
X	Service Advisor			Body Shop						
X	Shop Foreman			PDI Dept.						

★ ★ **FIX IT RIGHT THE FIRST TIME, ON TIME, EVERY TIME** ★ ★

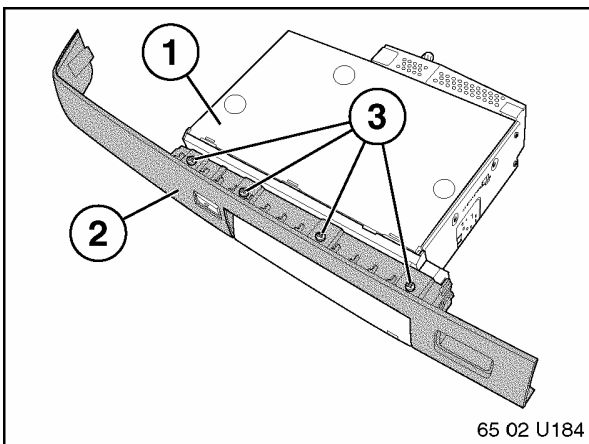


PROCEDURE:**CD Changer Preparation**

1. Remove the three shipping transport screws (1) from CD changer.
2. Cover the holes where the shipping screws were installed with the 3 adhesive seals (1) supplied with the unit. Attach support pin (2) to back of CD Changer.
3. Mount CDC Dash Panel (1) to CD Changer (2) being careful to properly align tabs of dash panel to CD changer.

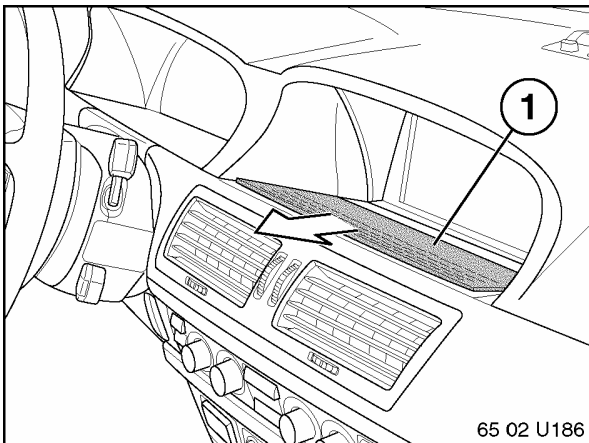


4. Slide CDC dash panel (2) onto the front of the CD changer (1) until locking tab (3) is engaged.

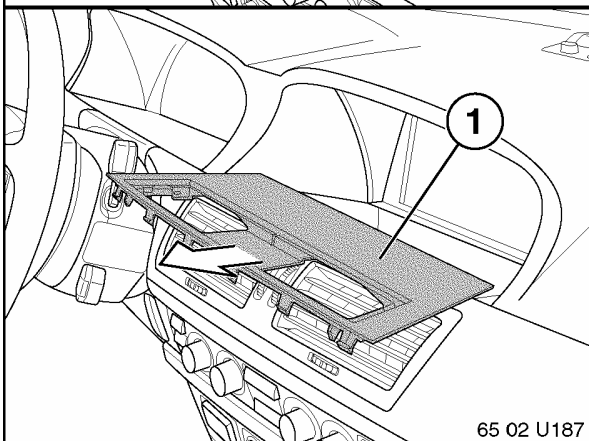


5. Secure CD changer (1) to CDC dash panel (2) with 4 trim screws (3).

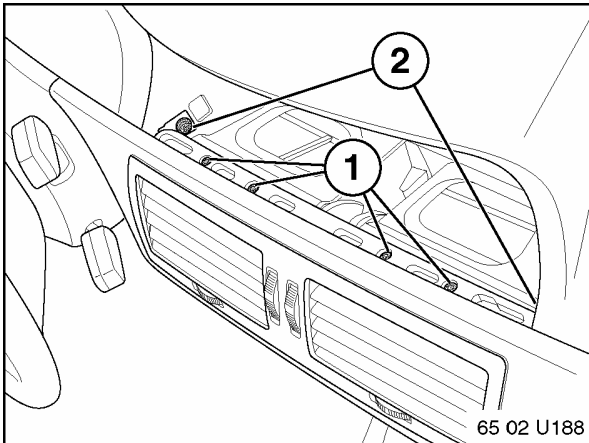
Vehicle Preparation



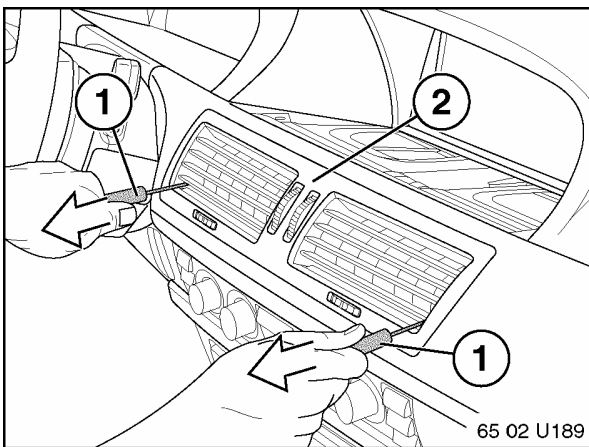
1. Lift vent panel (1) using the disassembly aid tool and remove.



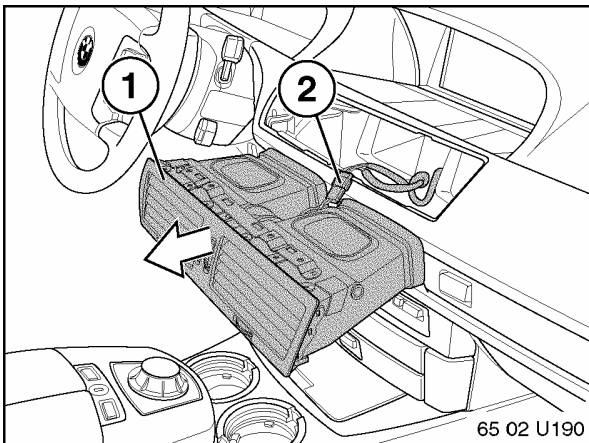
2. Lift main vent panel (1) and remove.



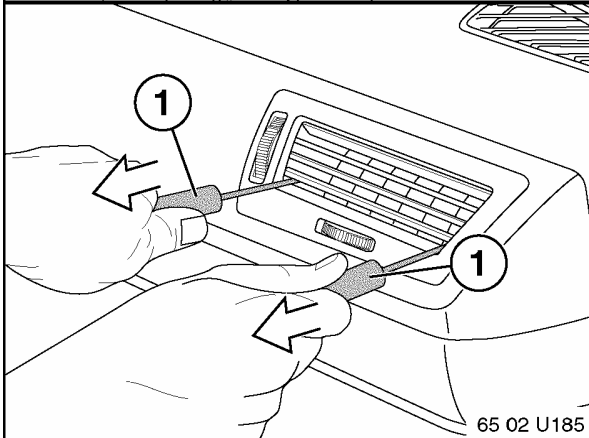
3. Remove screws at locations (1) & (2).



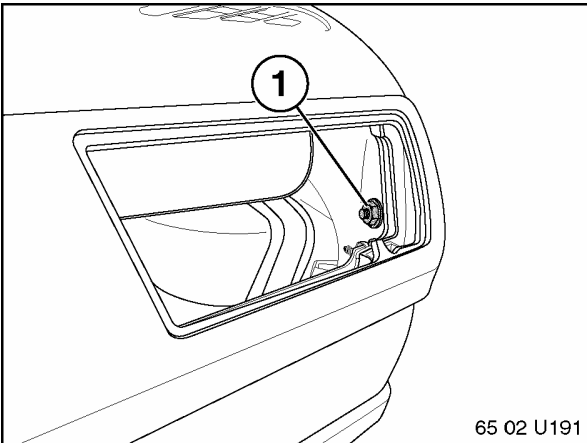
4. Using vent pick tools (1) remove main vent (2) by pulling outward making sure that pick tools lock into vent removal indentation locations.



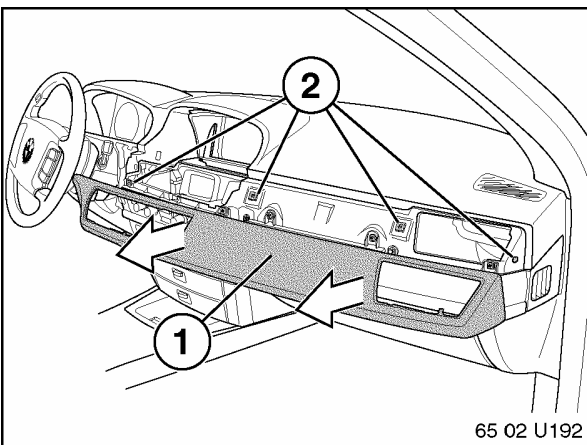
5. Remove main vent (1) and disconnect electrical connectors (2).



6. Use vent pick tools (1) to remove right hand side vent.

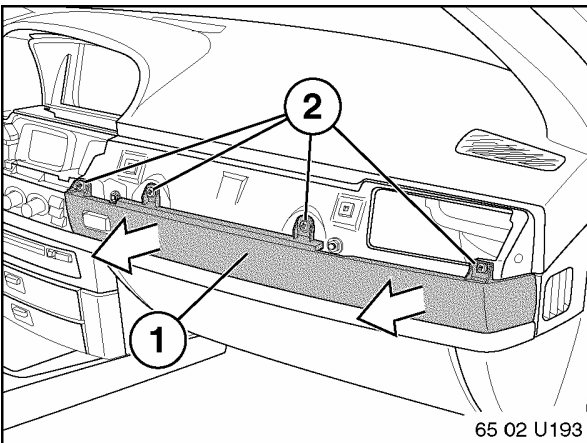


7. Remove nut (1) from wood dash trim panel.

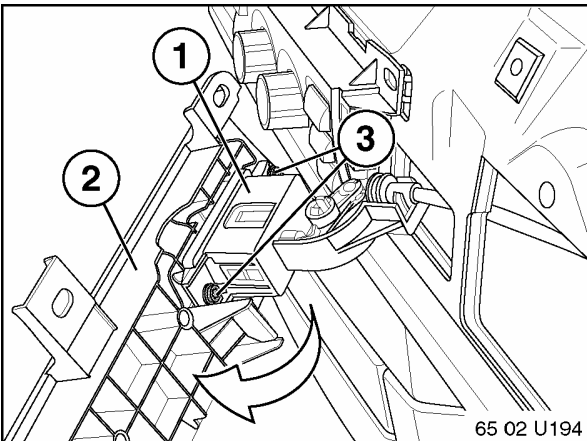


Warning: *Extend steering wheel column to maximum distance from dash before proceeding with this step.*

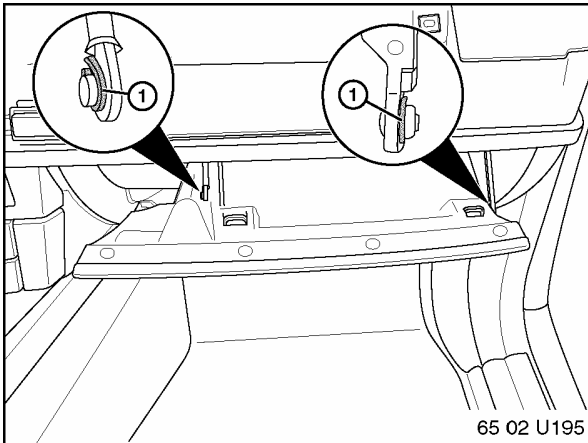
8. Carefully remove the wood dash panel (1) making note of securing points (2).



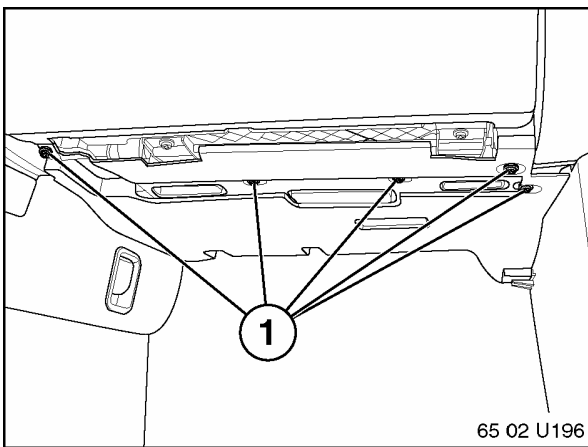
9. Remove screws (2) from lower dash trim panel and pull outward to remove.



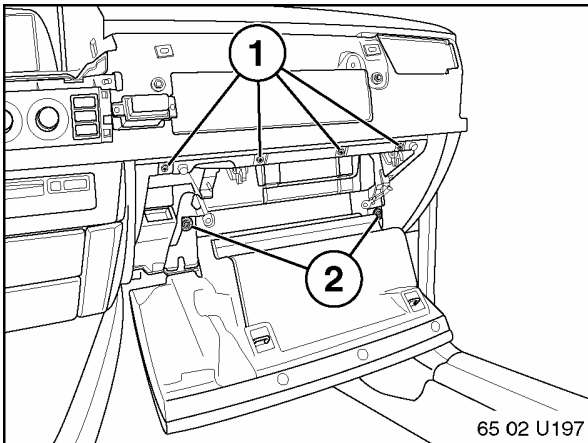
10. Remove 2 torx screws (3) from glovebox button assembly (1) to remove lower dash trim panel (2).



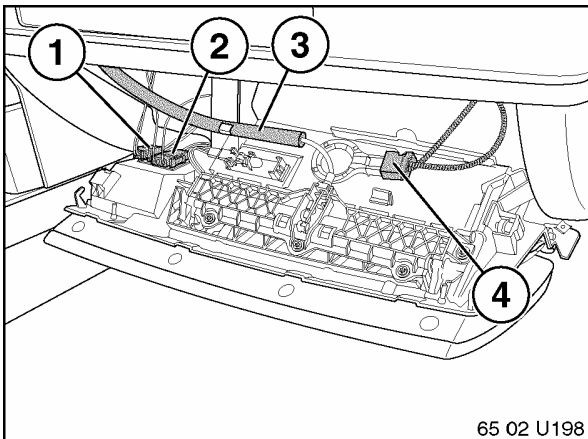
11. Remove locking pins (1) from glovebox support arms.



12. Remove 5 securing screws (1) from bottom of glovebox assembly.



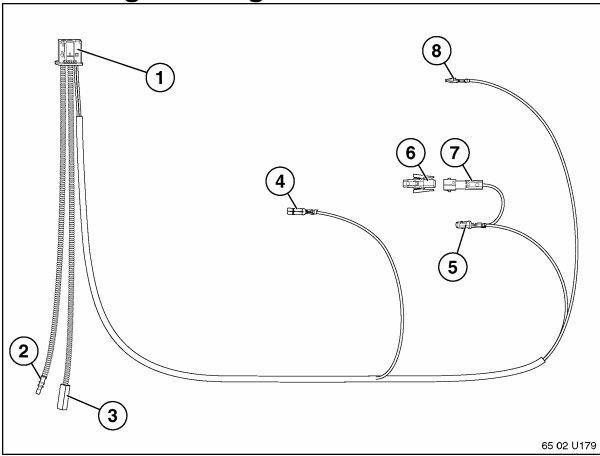
13. Remove 4 upper glovebox mounting screws (1) and 2 large torx bolts (2) from glovebox assembly.



Warning: Confirm that vehicle battery is disabled before proceeding with this step.

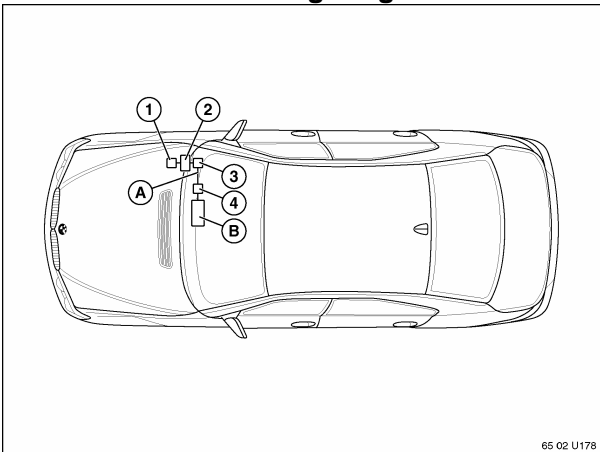
14. Disconnect electrical connector (1) and 3 pin connector **X13665** (2). Disengage glovebox cable (3) and remove connector **X13836** (4) from MOST flash connector.

CD Changer Wiring Harness



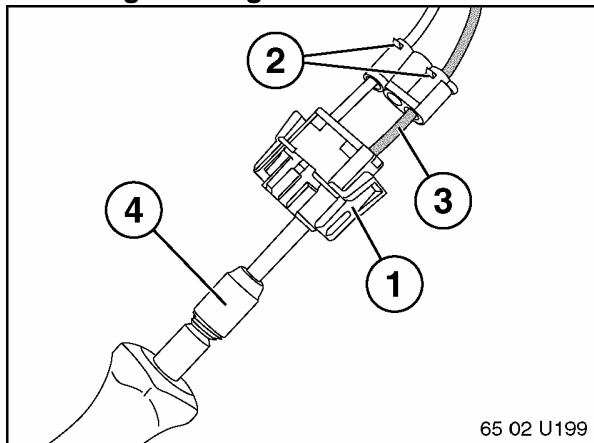
- (1) CD changer connector - to CD changer
- (2) Fiber Optic connector - to **X13836** Pin 1
- (3) Fiber Optic connector - to fiber optic connector removed from **X13836**
- (4) Gray/red wire w/terminal - to box **X908** for 58G signal
- (5) Brown wire w/terminal - to **X13665** for ground (KI 31) signal
- (6) 1 Pin connector - from **X13665** for ground (KI 31) signal connection
- (7) 1 Pin connector - to connector (6) for ground (KI 31) signal.
- (8) Red/green wire w/ terminal - to connector **X10454** Pin 3 for Power (KI 30) signal

Installation and Cabling Diagram

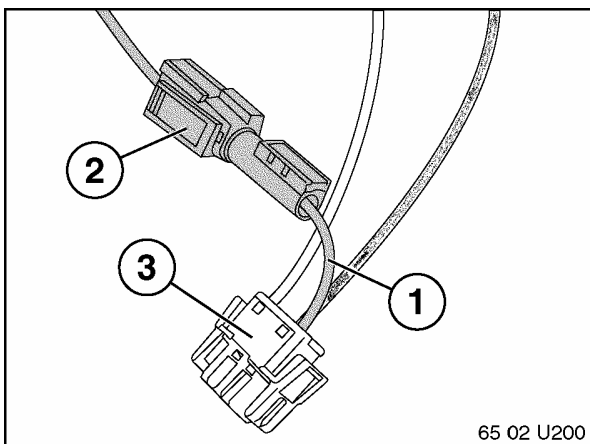


- (A) CD changer wire harness
- (B) CD Changer
- (1) Connector **X908**
- (2) Fuse box **A48**
- (3) MOST flash connection **X13836**
- (4) Connector **X13665**

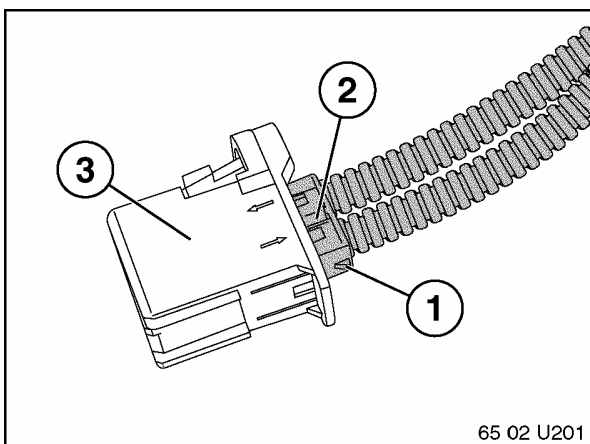
CD Changer Wiring



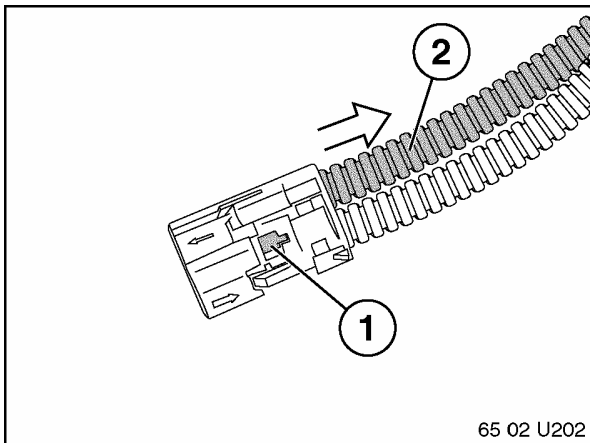
1. Locate 3 Pin connector **X13665** (1) from step 14. Remove connector lock (2) and use pin remove tool (4) to disengage Brown/Ground wire (3) from connector.



2. Insert Brown wire with terminal (1) from CD changer harness into connector **X13665** (3).
3. Insert wire removed from **X13665** in Step 1 into connector plug (2) to complete ground signal loop.

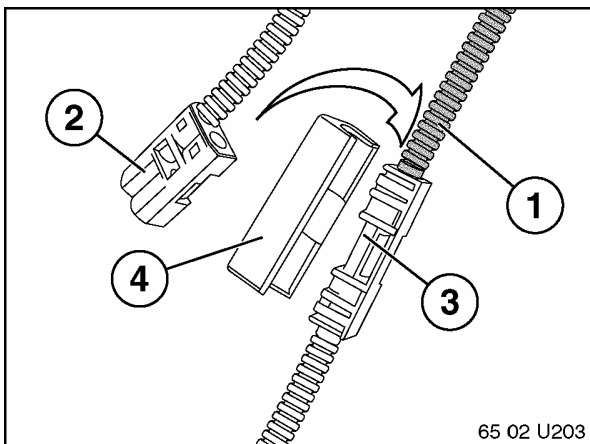


4. Remove Fiber optic connector holder (2) from MOST connector **X13836** housing (3) by releasing lock tab (1).



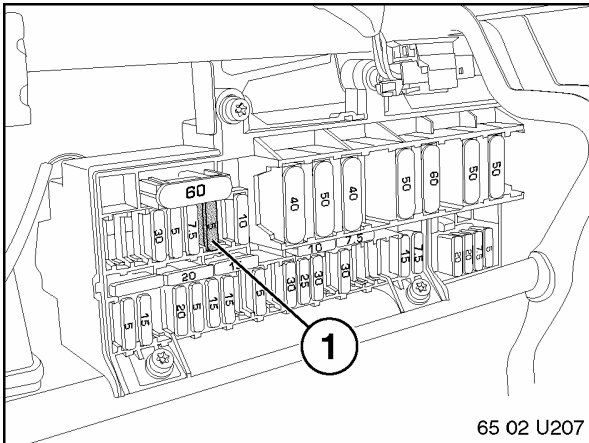
5. Remove center pin (1) from connector and carefully slide out fiber optic cable and connector from Pin 1.

Note: Pin 1 can be confirmed by referring to arrows located on connector. Pin 1 corresponds to arrow pointing away from cable.

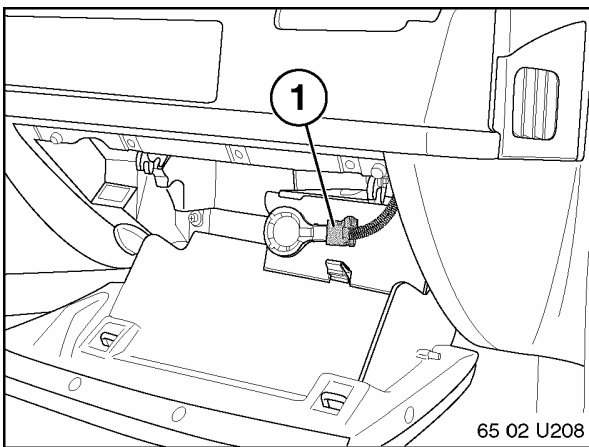


Note: Do not bend the fiber optic cable beyond its bending radius limit of 50mm.

6. Take fiber optic cable (1) removed from connector (2) in Step 5 and carefully connect to fiber optic connector (3) from CD changer wiring harness. After fiber optic cable is secured in connector, attach cover (4).

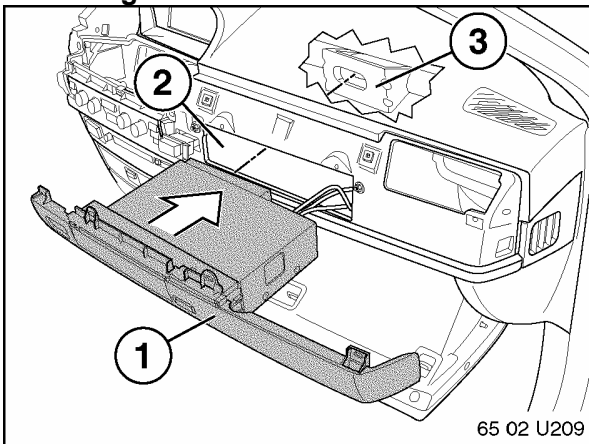


11. Route wires from CD changer wire harness accordingly using wire ties when necessary.
12. Re-install fuse box
13. Insert 5A fuse into slot 6 of fuse box (1) for CD changer power.



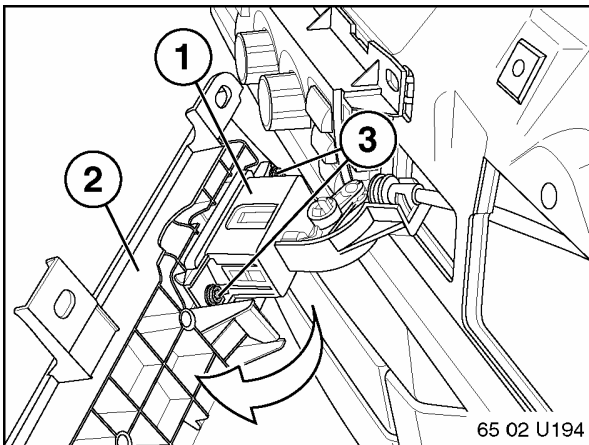
14. Re-install glovebox assembly.
15. Re-connect connector X13836 (1) to MOST flash connector and attach to fuse box cover.

CD Changer Installation

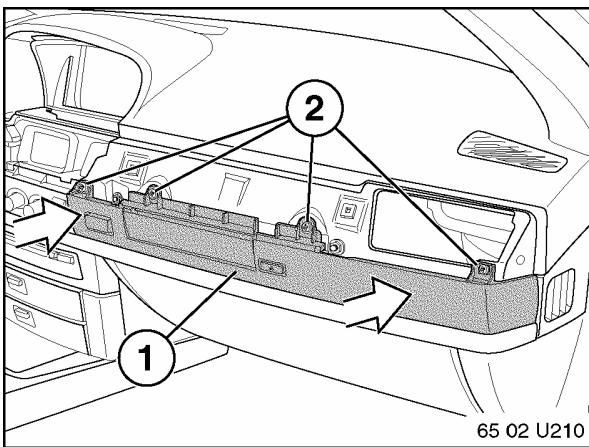


1. Connect CD Changer wiring harness connector to CD changer assembly (1).
2. Slide CD changer assembly into dash cutout location (2) making sure to relocate CD changer wire harness if necessary to prevent damage to the wiring.

Warning: Confirm that the support pin on the back of the CD changer is inserted into the support bracket cutout (3) in the rear of the dash. If this warning is not followed the CD changer could malfunction including audio “skipping”.



3. Re-install glovebox release button (1) to CD changer trim assembly (2) using torx screws (3)



4. Completely slide CD changer assembly with trim (1) into the dash and install trim panel securing screws (2)

Installation is complete.
 Code the car using DISPlus or MoDiC III.
 Perform function test.
 Re-assemble vehicle as outlined in these instructions.

Note: Code the car using DISPlus, MoDoC III or GT-1 via the "Retrofit" path.